



INSTRUCTION MANUAL

This handy guide will help you
put your Nex fan together.

Have more questions? Talk to us at care@nexlife.com



ASSEMBLY & INSTALLATION: FAN INSTALLATION & ASSEMBLY OF BLADE

1. Place the motor on thermo buffer to avoid any scratches as shown in (Figure 1).
2. Unscrew the blade screw from Motor and align the blade with the motor as shown in (Figure 1).
3. Screw the Blade to the Motor and ensure a tight fit.

Figure 1

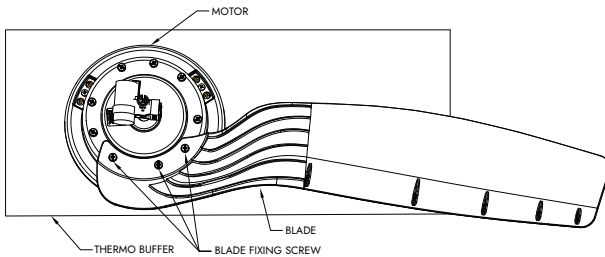


Figure 2

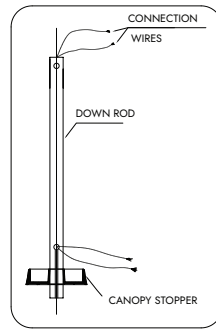


Figure 3

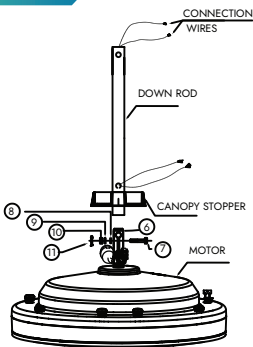


Figure 4

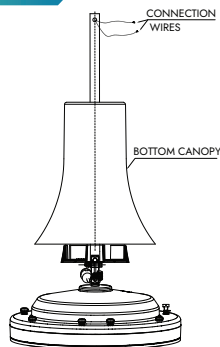
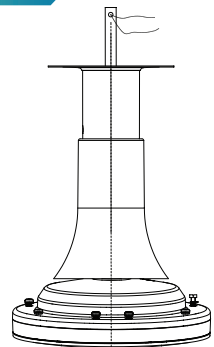


Figure 5



Note :- Kindly use same serial number blade as these are precisely balanced for same weight.



INSTALLATION OF HANGING ASSEMBLY & CANOPIES TO MOTOR

1. Hold the down-rod vertically with Slit side downward.
2. Slide canopy stopper (4a) from top end of down rod & Ensure stopper should be below down rod(3)slit hole. Now Pass the connection wires through slit hole at the Bottom end of down rod (3) and remove them from the top end of down rod (Figure 2).
3. Insert the bottom end of down rod (3) (with slit) on spindle (6) and insert bolt (7) Place the plain washer (8), spring washer (9), and fully tighten nut (10), insert the split pin (11) in the small hole on the bolt end and open the ends, so that it does not fall off. The assembly of bolt (7), plain washer (8), spring washer (9), nut (10), split pin (11) is separately packed with hanger assembly (18).
4. Align hole in downrod (3) and slot in canopy stopper (4a) and push canopy stopper (4a) from top to rest it on bolt (3).Now pass connection wire through canopy stopper slot & connect to the terminal block. (Figure 6a).
5. Slide the bottom canopy (4) from top end of down rod (3) and rest it on canopy stopper (4a) (Figure 4).
6. Slide the top Canopy(5) in Bottom canopy (4) and push it downward. (Figure 5)
7. Slide the false ceiling cover (5b) from top end of down rod (3) and rest it on top canopy (5) (Figure 5).
8. Remove the split pin (17), nut (16), spring washer (15), plain washer (14), bolt (13), at the bottom end of hanger assembly (12).(Figure 6)
9. Place hanger assembly (12) in ceiling hook in such a way that rubber reel (18) rests on the ceiling hook.
- 10.Insert the top end of down rod (3) between the steel clamps of hanger assembly (12). Match the holes with holes in down rod (3). Insert bolt (13), place plain washer (14), spring washer (15), and fully tighten nut (16), insert the split pin (17) in the small hole on bolt end and open the ends, so that it does not fall off.
11. Assemble top canopy (5) and false ceiling cover (5b) together and lift the Top canopy (5) and false ceiling cover (5b) to cover hanger assembly and fix with screw (5a) (Figure 6).
12. Regulator not recommended with BLDC remote Fan

Figure 6A

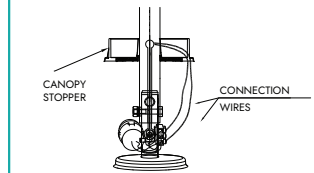
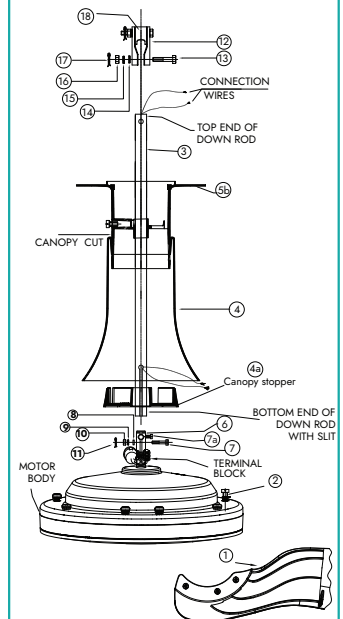


Figure 6B

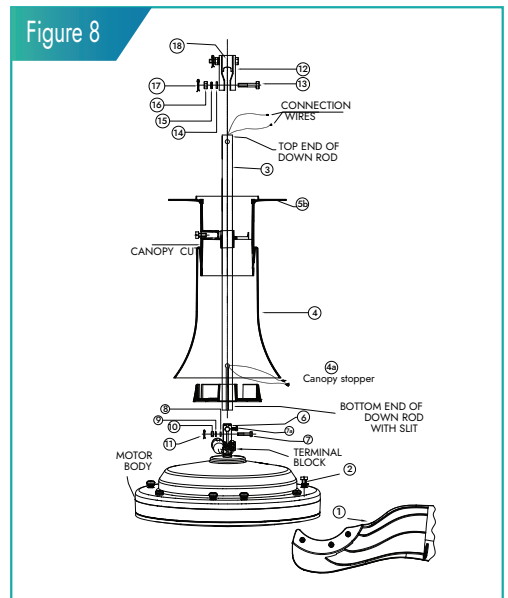
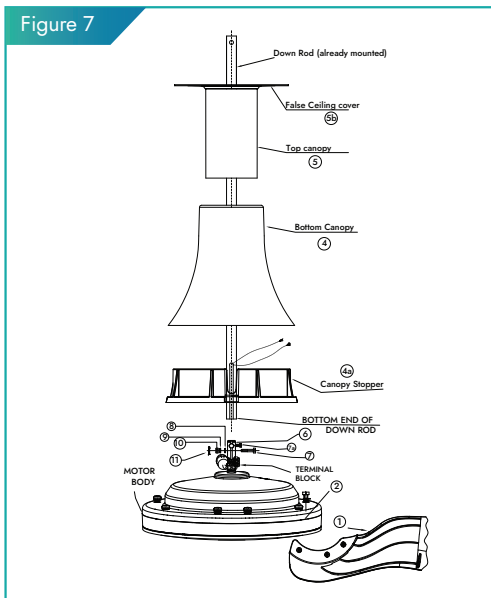


IN CASE OF FALSE CEILING WHERE DOWN ROD IS ALREADY INSTALLED IN CEILING

1. Assemble top canopy (5) and false ceiling cover (5b) together (figure 7) and slide it up from bottom end of down rod (already mounted).
2. Slide the bottom canopy(4) from down side of top canopy(5).
3. Slide canopy stopper (4a) from bottom end of down rod (already mounted) (Figure 7).
4. Insert the bottom end of down rod (already mounted) (with slit) on spindle (6) and insert bolt (7) Place the plain washer (8), spring washer (9), and fully tighten nut (10), insert the split pin (11) in the small hole on the bolt end and open the ends, so that it does not fall off. The assembly of bolt (7), plain washer (8), spring washer (9), nut(10) split pin (11) is separately packed with hanger assembly (12). & connect connection wire with terminal block.
5. Push canopy stopper (4a) from top to rest it on bolt (7) (Figure 7). Slide down bottom canopy and rest it on canopy stopper.
6. Lift the Top Canopy (5) and false ceiling cover (5b) assembly as per requirement to cover false ceiling hole and Tighten the screw (5a) to fix it (Figure 6).

NOTE

If there, is not sufficient space to accommodate top canopy (5), kindly cut top canopy (5) from bottom side below screw hole and assemble false ceiling cover (5b) in top canopy (4) and assemble as per instruction (Figure 8).



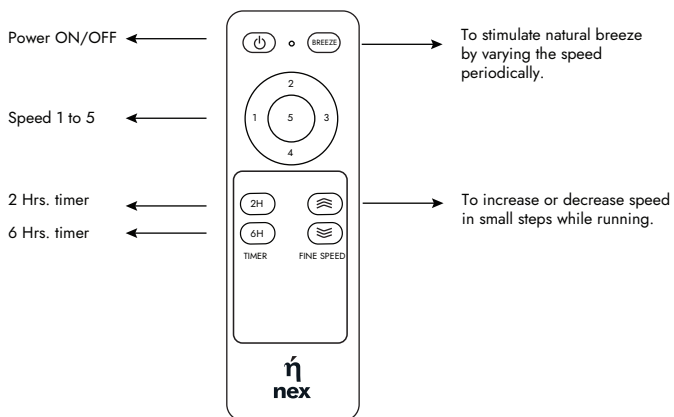
IMPORTANT

The diagram of fan are just the general representation of ceiling fan and not the actual fan. Read the instructions carefully. Open the packing and arrange the fan parts as per the numerals marked on diagram. Assemble & install fan as per the assembly, wiring diagram and written instruction. Check the assembled fan, ensure proper installation **before switching ON** the fan.

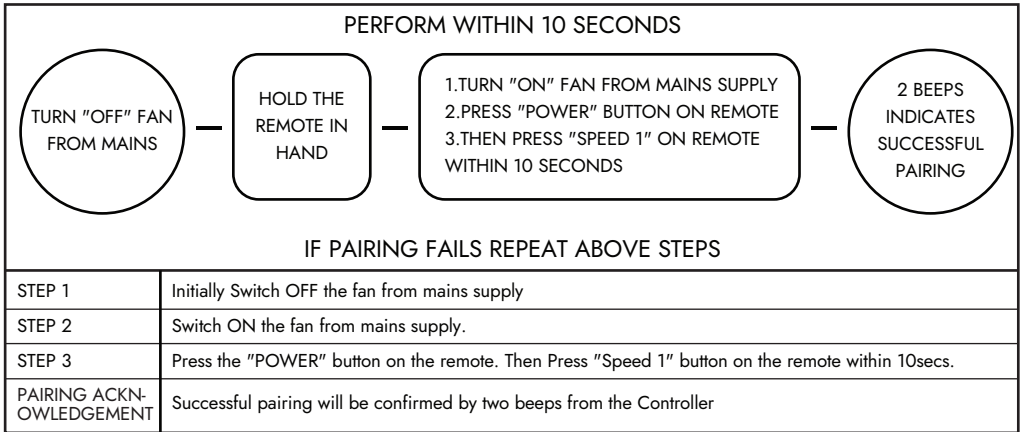
PRECAUTIONS

1. To optimize the air delivery and avoid turbulence ceiling fan should be approx. 7 ~ 8 feet from the ground level and 1 feet below the ceiling/false ceiling (if Applicable).
2. Minimum distance between blade tip and wall & between 2 Fans blade tip should be almost equal or more than the fan sweep size.
3. Don't mix the blade of one set with another set as these blades are balanced and packed as a set for efficient performance and safety.
4. In case of false ceiling, the hole in false ceiling must be in line with ceiling hook and minimum 1 inch gap should be available all around the down rod.
5. Ensure that the down rod & fan blade are placed away from any ceiling beam for proper assembly, follow the down rod instruction given in the diagram

REMOTE CONTROL DIAGRAM



REMOTE PAIRING INSTRUCTIONS



Note: If pairing fails, repeat the steps after switching OFF and powering ON the fan from the mains supply

REMOTE UN-PAIRING INSTRUCTIONS (FAN OPERATES WITH TWO REMOTES)	
INSTRUCTION 1:	PCB Controller have 2 memories for remote.
INSTRUCTION 2:	Remote 1 & Remote 2 both can be paired with the ceiling fan
INSTRUCTION 3:	Firstly Remote 1 gets paired with PCB. Then Remote 2 gets paired. Pairing should happen within 10 secs.
	Both memories of the controller are filled with Remote 1 & Remote 2. Now the fan will operate as per Remote 1 & Remote 2 command.
INSTRUCTION 4:	You can remove Remote 1 from pairing list and pair the PCB with Remote 3
INSTRUCTION 5:	Once you remove Remote 1 from pairing list, memory of the controller is filled with Remote 2 & Remote 3.
	Now you can operate the fan with Remote 2 & Remote 3. After that, PCB won't respond to the commands of Remote 1.

SINGLE REMOTE PAIRING INSTRUCTIONS (FAN OPERATES ONLY WITH SINGLE REMOTE)	
INSTRUCTION 1:	If you want to operate with single remote means you want to pair the PCB with single remote you can pair, it for 2 times within 10 seconds.
	That means both the memories are filled with single remote. Now you can operate the fan with single remote only (Remote 1).

Note: Multiple fans can be paired with single remote



TROUBLE-SHOOTING INSTRUCTION

Problem	Causes	Solutions
Excessive gap between Bottom canopy and Top Cover	A. Opposite Placement of Canopy Stopper	A. Ensure the slotted bush of canopy stopper must be on upper side
	B. Bottom Canopy does not rest on Canopy stopper	B. Pull Bottom Canopy downward up to canopy stopper
All 2 canopies not fitting in false ceiling	Down rod length is short because of false ceiling	Remove the top canopy of the Fan and fix the Ceiling cap above Bottom Canopy at wider diameter groove side.
Power is ON but fan is not working	A. Circuit breaker tripped	A. Reset the breaker
	B. Loose connection of wire	B. Tighten the wire connections
	C. Fan turned OFF with the remote	C. Press the power button to turn ON the fan
	D. Remote not paired with the fan	D. Follow the remote pairing instructions to pair the remote
Noisy operation	A. Bottom canopy touching the top cover of Fan	A. Place the canopy stopper in down rod
	B. Fan blade does not tighten properly	B. Tight the mounting screw of the blade
	C. Input wire coming out from the down rod and touching the top cover	C. Reduce the length of the wire to avoid touching the top cover
Excessive Shaking	Down rod not fitted tightly	Tighten the bolt and nut as per Instruction Manual
Initial Jerk & Starting Problem	Shackle kit is loose	Tighten the shackle kit properly
Fan speed increasing & Decreasing	Fan is operating in breeze Mode	Press the breeze/all 5 speed/fine speed button to exit the breeze mode
Fan speed not changing when using speed buttons of remote	Frequent commands received by remote	Give 1-2 sec delay between remote commands
Remote does not work	A. Remote not paired with the fan	A. Follow the remote pairing instructions to pair the remote
	B. Remote batteries drained	B. Replace the old remote batteries with the new batteries
Fan not working	Fan turned off after timer completed pre-set time	Restart the fan by using any of 1-5 speed button or power button
Fan restart	Fault detected	Fan will restart once fault condition no longer exists



WARNING

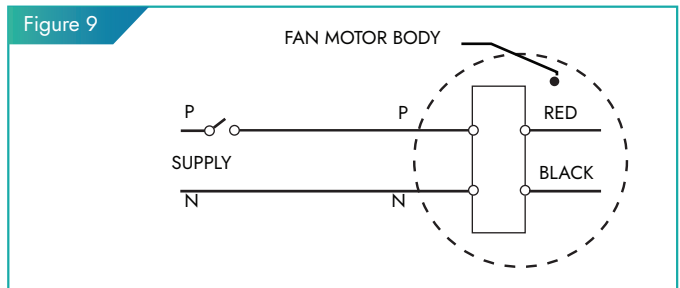
THE INSTALLATION OF THE FANS SHOULD BE AS PER INSTRUCTION MANUAL TO AVOID ANY DAMAGE TO FANS AND OTHER MOVING PARTS. DAMAGE OF ANY MOVING PARTS DUE TO IMPROPER INSTALLATION MAY LEAD TO INJURY.

SELECTION GUIDE

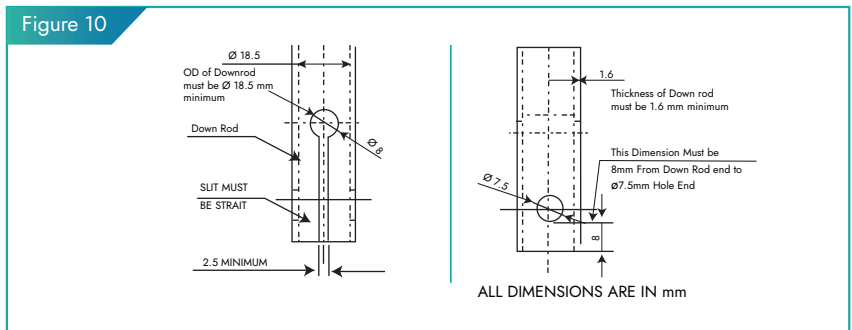
Ceiling Fan recommend Sweep for different room sizes.

Room Size	Fan Sweep
Less than 8 X 8 ft	600mm (24 ")
8-10 ft X 8-10 ft	900mm (36 ")
11-13 ft X 11-13 ft	1200mm (48 ")
14-16 ft X 14 -16 ft	1300mm (52 ") 1400mm (56 ")

WIRING DIAGRAM



DOWN ROD DIAGRAM

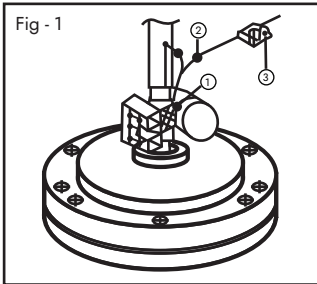


INSTALLATION OF SUPPORT CABLE WITH FAN

Installation of Secondary Support Cable

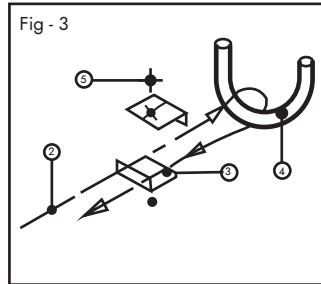
CAUTION

The purpose of Secondary support Cable is to temporarily hold the fan with ceiling hook, in case of failure of primary suspension system, which may happen due to faulty installation, inadequate tightening of fasteners like nut & bolts etc. The fan should be switched off immediately & faulty system should be corrected before using again.

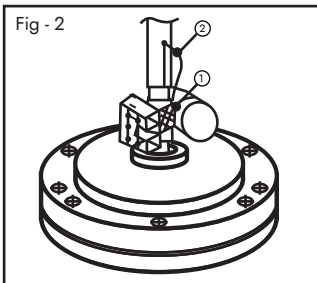


Un wind the support cable (2) and remove the metal clamp (3).

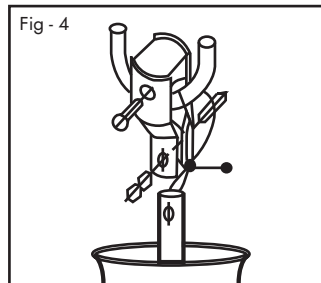
Pass the cable through the shaft hole/ support clip 1 (Hole below Down rod assembly hole) so that it stops at the beaded end.



Thread the Cable (2) thro' the two holes on cable clamp (3) & then thro' the ceiling hook (4). Loop it & thread the free end thro another set of hole in the clamp. Ensure that the Cable is slack & approximately about an inch losse and in no case supporting the fan directly as shown in Fig - 3 & Fig - 4. Then fully tighten the clamp by tightening nut & screw to ensure that the secondary support is rigidly held.



Push the free end of cable (2) thro' the hole in the down rod (thro' which supply wires are not run) till it comes out of the shackle end.



Fold the free and of the Cable (2). Raise the canopy to appropriate position. Likewise place the condenser cover in it's desire position.